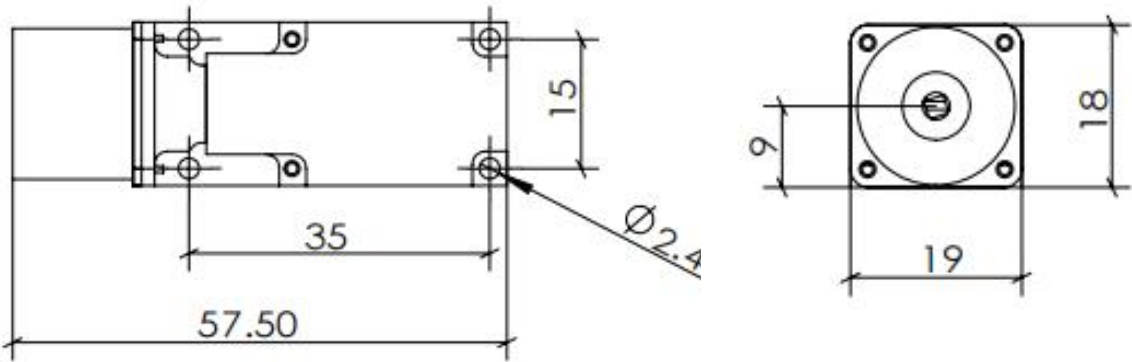


Y571D1000-19x18x58-40

- Features**
- DPSS Laser
 - High Power
 - High Stability
 - Yellow Laser

Dimensions (Unit: mm)



Specifications				
Model Number		Y571D1000-19x18x58-40		
Mechanical Specifications		Min	Typ	Max
Laser Head	Width x Height (mm)	-	19X18	19.5x18.5
	Length (mm)	-	-	58
	Weight (g)	-	-	200
Housing Material		Brass with gold-plating		
Optical Specifications		Min	Typ	Max
Wavelength (nm)		567	571	575
Output Power (mW)		800	1000	-
Power Stability at const. Temperature ⁽¹⁾		-	+/- 5%	+/- 10%
Output Power Mode		CW		
Laser Class		4		

⁽¹⁾ after max. 3 minutes (RMS)

Beam Specifications		Min	Typ	Max
Beam Divergence (mrad) ⁽¹⁾		-	30	40
Beam Waist (μm)		-	300	-
Beam Alignment Tolerance	Position (Δr, mm)	-	-	0.5
	Off-axis Angle (mrad)	-	35	60
Beam Diameter at Output Window (mm)		-	0.5	
Beam Roundness		-	-	-
Beam Mode Longitude		Multi		
Beam Mode Transverse		TEM _n 1		
Polarization Ratio (Linear)		100:1	-	-
Residual IR		-	-	3%
Electrical Specifications		Min	Typ	Max
Power Type		ACC		
LD Voltage (DC, V)		1.8	2	2.3
LD Operating Current (mA) at 2V		-	10,000	12,000
Thermistor Constants		A = 2.231e ⁻³ B = 4.694e ⁻⁵ C = 0.884e ⁻⁶		
Thermistor Resistance		6.6KΩ@35°C 8.2KΩ@30°C 10.0KΩ@25°C 12.3KΩ@20°C 16.4KΩ@15°C 18.5KΩ@10°C		
Power Consumption (W) at 25°C		-	20	27.6
Housing Isolation		No		
ESD protection		No		
Wire Length (mm)		200 (+/-50)		
Wire Type ⁽³⁾		18AWG / 28AWG		
Reliability		Min	Typ	Max
Operating Temperature Range (°C) ⁽³⁾		T+0.3	T	T-0.3
Storage Temperature (°C)		0	-	40
Environmental Humidity (RH, %)		5	-	85
Lifetime (hours) (MTTF at 25°C)		5,000	-	-
RoHS Compliance Declaration		Yes		

(1) Full Angle (1/e²)

(2) 18AWG for LD wires. 28AWG for NTC wires

(3) T is one optimum LD operating temperature between 15 to 35°C reflected by NTC resistance and will be advised in each test report.