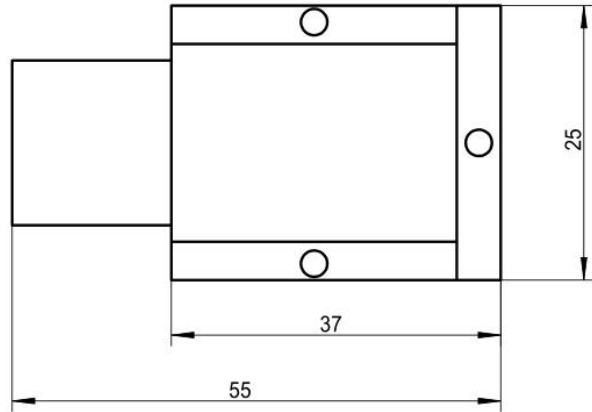
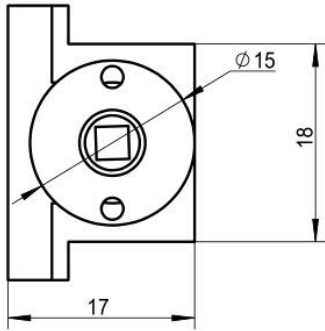


**Y574D800-25x17x55-220**

- Features**
- DPSS Laser
  - Yellow Laser
  - High Power
  - Fast Rise Time

**Dimensions (Unit: mm)**



<b>Specifications</b>				
<b>Model Number</b>		<b>Y574D800-25x17x55-220</b>		
<b>Mechanical Specifications</b>		<b>Min</b>	<b>Typ</b>	<b>Max</b>
Laser Head*4	Width x Height (mm)	25X16	25X17	26X18
	Length (mm)	-	-	55
	Weight (g)	-	-	200
Housing Material		Brass with gold-plating		
<b>Optical Specifications</b>		<b>Min</b>	<b>Typ</b>	<b>Max</b>
Wavelength (nm)		571	574	577
Output Power (mW) at T <sup>(1)</sup> at 10A		800	-	-
Spectral Bandwith (nm)		-	-	1
Power Stability at const. Temperature <sup>(2)</sup>		-	+/- 3%	-
Output Power Mode		CW		
Laser Class		4		

(1) see remarks 3 in page 2

(2) rms

<b>Beam Specifications</b>		<b>Min</b>	<b>Typ</b>	<b>Max</b>
Fiber	Core Diameter(μm)	-	200	-
	NA	-	0.22	-
	Length(m)	-	1	-
	Connector	SMA905		
Beam Mode Longitude		Multi		
Beam Mode Transverse		TEM <sub>00</sub> <sup>(1)</sup>		
Polarization Ratio (Linear)		100:1	-	-
Residual IR		-	-	3%
<b>Electrical Specifications</b>		<b>Min</b>	<b>Typ</b>	<b>Max</b>
Power Type		APC		
LD Voltage (DC, V)		-	8	9
LD Operating Current (mA) at 8V		-	10,000	12,000
Thermistor Constants		$A = 2.231e^{-3}$ $B = 4.694e^{-5}$ $C = 0.884e^{-6}$		
Thermistor Resistance		6.6KΩ@35°C    8.2KΩ@30°C 10.0KΩ@25°C    12.3KΩ@20°C 16.4KΩ@15°C    18.5KΩ@10°C		
Power Consumption (W) at 25°C		-	80	108
Housing Isolation		No		
ESD protection		No		
Wire Length (mm)		200 (+/-50)		
Wire Type <sup>(2)</sup>		20AWG / 28AWG		
<b>Reliability</b>		<b>Min</b>	<b>Typ</b>	<b>Max</b>
Operating NTC Temperature Range (°C) <sup>(3)</sup>		T-0.1	T	T+0.1
Rise Time (mins) at 10A <sup>(4)</sup> (at T)		-	8	10
Storage Temperature (°C)		0	-	40
Environmental Humidity (RH, %)		5	-	85
Lifetime (hours) (MTTF at 25°C)		5,000	-	-
RoHS Compliance Declaration		Yes		

(1) See picture 3 on page 3 for example of beam spot

(2) 20AWG for LD wires. 28AWG for NTC wires

(3) T is one optimum LD operating temperature between 15 to 35°C reflected by NTC resistance and will be advised in each test report.

(4) to 50% of full Output Power.

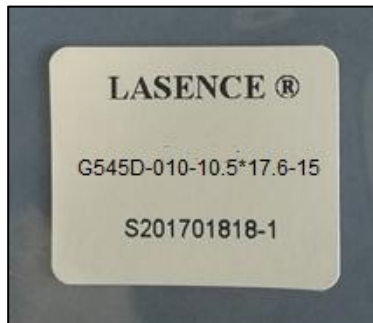
## Remarks

- Product ID for placing orders:Y574D1000-25x17x55-220
- Datasheet Version: 1
- No Photodiode
- Customer is responsible for suitable heat sinking
- Label on plastic bag (see picture of another product's label in picture 2):
  - LASENCE®
  - Y571D1000-25x17x55-40
  - Lasence Order Number - Module Number
  - Label Length: 30mm (+/-3mm); Width: 25mm (+/-3mm)
- Anti-static protector for transportation (see picture 4)
- Example of beam spot (see picture3)
- Laser Beam Warning Label on module housing (see picture 1)

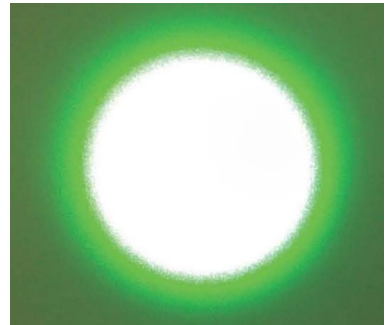
**Picture 1**



**Picture 2**



**Picture 3**



**Picture 4**

