

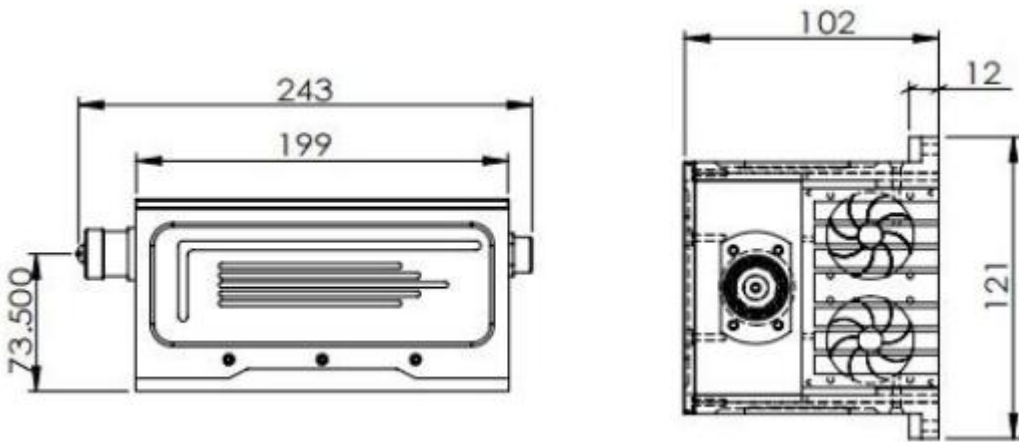


G555D500-243x121x102-5

Applications

- Laser Medical Treatment
- Scientific Experiment
- Optical Instrument
- Laser Display

Dimensions (Unit: mm)



Specifications

Model Number		G555D500-243x121x102-5		
Mechanical Specifications		Min	Typ	Max
Laser Head	Width x Height (mm)	-	121x102	-
	Length (mm)	-	243	-
	Weight (g)	-	-	2700
Housing Material		Black Anodized Aluminum		
Optical Specifications		Min	Typ	Max
Wavelength (nm)		553	555	557
Output Power (mW)		500	550	-
Power Stability at const. Temperature ⁽¹⁾		-	+/- 3%	-
Output Power Mode		CW		
Laser Class		4		

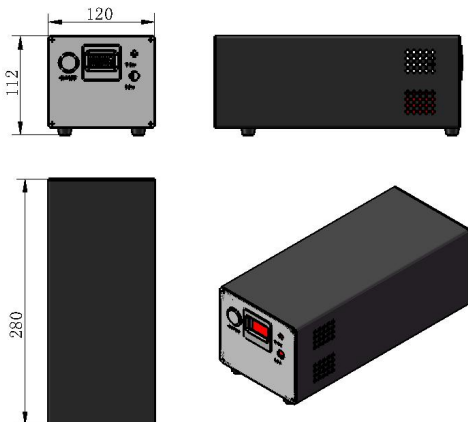
⁽¹⁾ after max. 10 minutes

Beam Specifications		Min	Typ	Max
Beam Divergence (mrad) ⁽¹⁾		-	-	5
Beam Diameter at Output Window (mm)		-	-	7
Beam Height from Base Plate (mm)		-	73.5	-
Beam Mode Longitude		Multi		
Beam Mode Transverse		Multi ⁽²⁾		
Polarization Ratio (Linear)		100:1	-	-
Residual IR		-	-	3%
Electrical Specifications		Min	Typ	Max
Power Supply		100-240VAC		
Power Consumption (W)		-	30	-
Power Supply Size	Width x Height (mm)	-	120x110	-
	Length (mm)	-	310	-
	Weight (g)	-	1950	-
Reliability		Min	Typ	Max
Operating Case Temperature Range (°C)		15	25	35
Warm-up Time (minutes)		-	-	10
Storage Temperature (°C)		0	-	40
Environmental Humidity (RH, %)		5	-	85
Lifetime (hours) (MTTF at 25°C)		5,000	-	-

(1) Full Angle ($1/e^2$)

(2) See picture 2 on page 2 for example of beam spot

Picture 1



Picture 2

