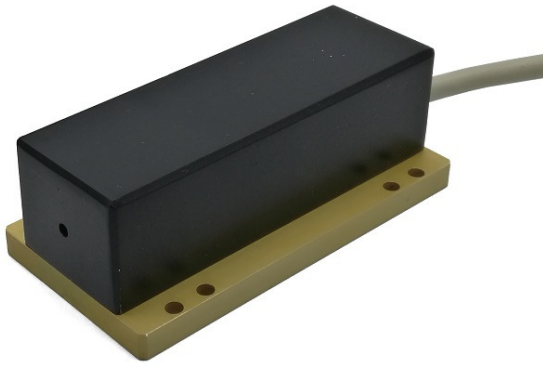


# 532nm Green Single Frequency Laser



**SLM-G532-100-PL**

## Applications

- Laser Printing
- Spectroscopy
- Cell Sorting
- DNA Sequencing
- Wafer Inspection
- Particle Counting

## Features

**Ultra Compact**

**Excellent Power Stability**

**Low Noise**

**Long Lifetime**

Model Number	SLM-G532-100-PL
<b>Optical Specifications</b>	
Wavelength	532 ± 0.3nm
Output Power	100mW
Power Stability (rms, over 8 hours)	< 2%
<b>Beam specifications</b>	
Beam Mode Quality	M <sup>2</sup> < 1.2
Beam Mode Transverse	TEM <sub>00</sub>
Beam Mode Longitude	Single
Beam Diameter	1 ± 0.2mm
Beam Divergence [1/e <sup>2</sup> ]	< 2mrad
Beam Symmetry	> 0.8:1
Beam Position Accuracy	< ± 0.5mm
Beam Pointing Stability	< 10urad/°C

# 532nm Green Single Frequency Laser



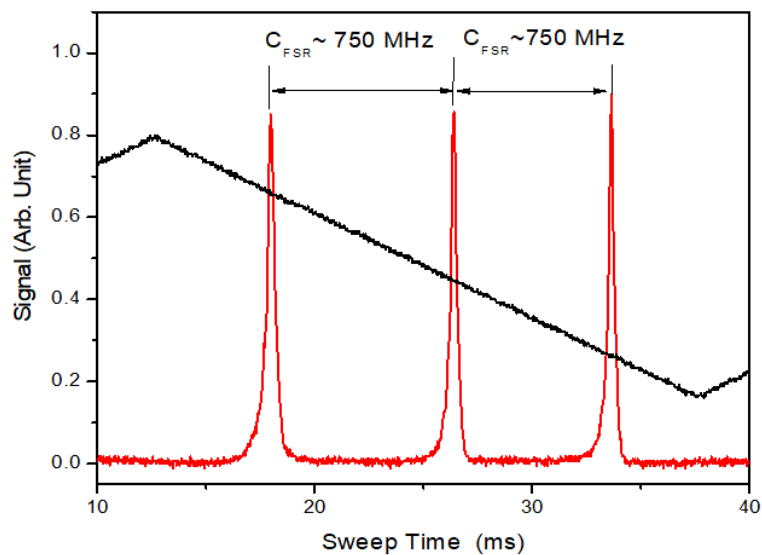
<b>Reliability</b>	
Wavelength Stability, Long Term	< 0.1nm
Coherent Length	> 50m
Polarization Ratio	> 50:1
Residual IR Emission	< 0.1mW
Ambient Operating Humidity	0 to 90% RH non-condensing
Operating Temperature	15 - 35°C
Heatsink Operating Temperature	15 - 35°C
Storage Temperature	-30 - 60°C
Warranty	1 year (unlimited hours)
Expected Lifetime	10,000 hours
Cooling Method	Air Cooled
Warm up Time	< 30minutes
<b>Optional</b>	
Active Wavelength Locking Mechanism	Optional
Spectral Bandwidth	0.1 nm
Noise of Amplitude (rms)	< 0.3% (@DC~20MHz)
Wavelength Stability, 0.01 Hz to 100 Hz	< 0.05nm peak-peak / < 0.01nm rms
Power Noise 0.01Hz	< 1% peak-peak
<b>Control Specifications</b>	
Input Power	AC 110 / 220 V
Output Current	0-3 A
Current Accuracy	10 <sup>-3</sup> A
Current Noise	10 <sup>-5</sup> A
Temperature Accuracy	± 0.05 °C

# 532nm Green Single Frequency Laser

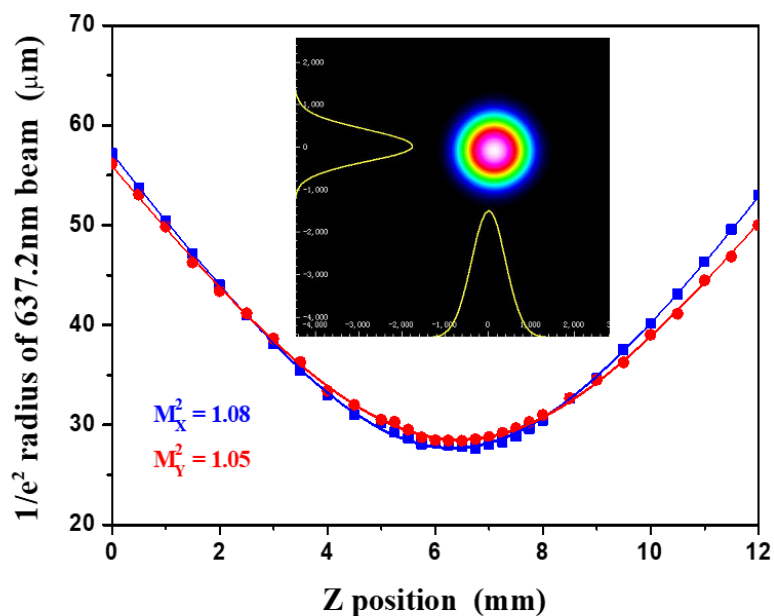


## Graphs

### Longitudinal Mode (example):



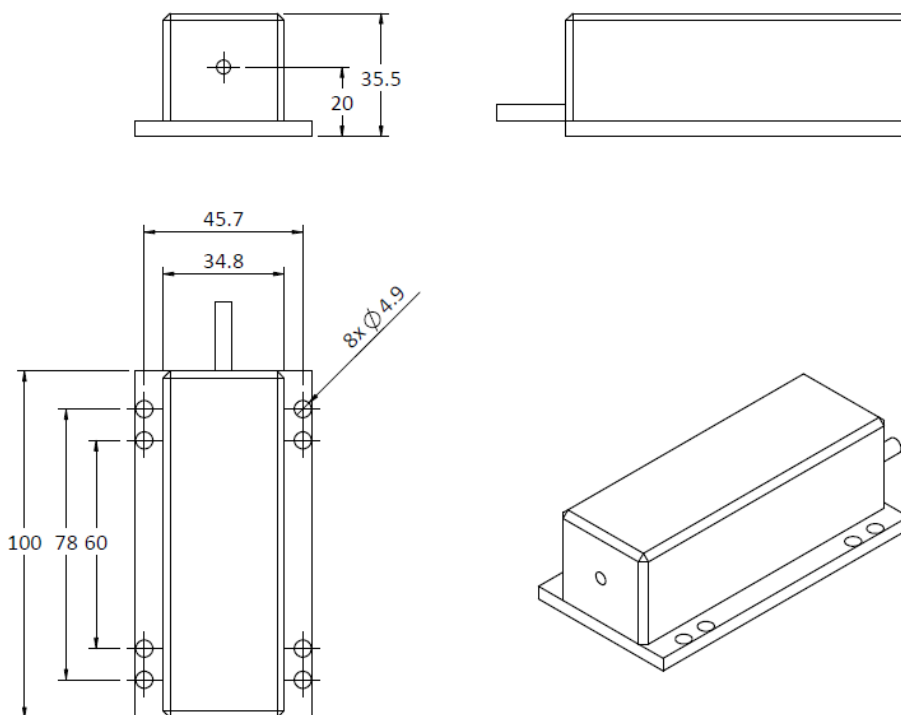
### Transverse Mode and M2 (example):



# 532nm Green Single Frequency Laser



## Drawing



Dimensions in mm