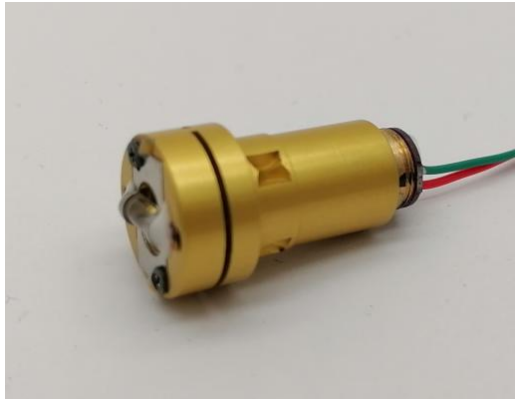


Green Line Laser Module Wide Temperature Range

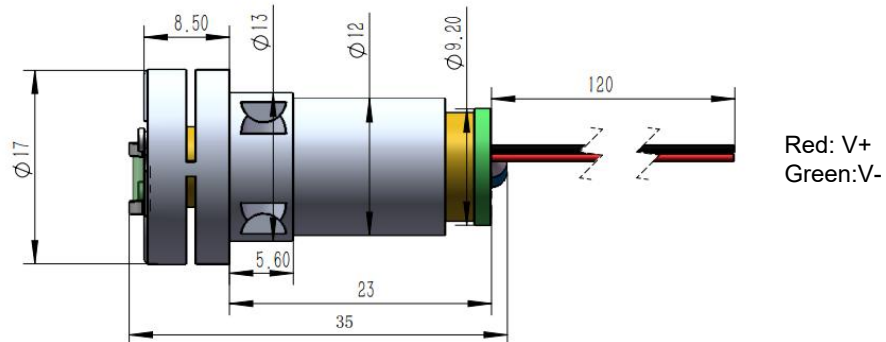


G555L015-17x35-120-(-10-50)-10

Features

- Gaussian Line
- Wide Temperature Range
- Fast Rise Time
- High Reliability

Dimensions (Unit: mm)



Red: V+
Green: V-

Specifications

Model Number		G555L015-17x35-120-(-10-50)-10		
Mechanical Specifications		Min	Typ	Max
Laser Head	Diameter (mm)	16.9	17	17.1
	Length (mm)	32.9	35	36
	Weight (g)	-	11.6	-
Housing Material		Yellow Anodized Aluminum ⁽¹⁾		
Optical Specifications		Min	Typ	Max
Wavelength (nm) ⁽²⁾		551	555	559
Output Power (mW) ⁽³⁾		15	-	-
Power Stability	at const. Temperature	-	+/- 2%	+/- 5%
	over Temperature Range	-	+/- 20%	+/- 33%
Output Power Mode		CW		

(1) Optional: Black, Grey and Green Anodized Aluminum

(2) dot power before Cylinde Lens, **customer is responsible for suitable heat sink**

(3) after max. 3 minutes

Beam Specifications	Min	Typ	Max
Fan Angle ($1/e^2$, degree) ⁽¹⁾	-	120	-
Line width @ 7m (mm)	-	-	4
Line Curvature (mm) at 10m	-	± 0.5	± 1
Deviation of Laser Beam at 10m (mm)	-	-	2
Power Distribution	Gaussian		
Beam Mode Longitude	Multi		
Residual IR	-	-	1%
Electrical Specifications	Min	Typ	Max
Power Type	ACC-CW input		
Voltage (DC, V)	2.6	-	3.0
Operating Current (mA) ⁽²⁾ at 3V	200	-	250
Housing Isolation	Yes		
ESD protection	Yes		
Wire Length (mm)	120 ± 10		
Wire Type	28#AWG		
Connector Model	None		
Reverse Voltage Protection	Yes		
Reliability	Min	Typ	Max
Operating Case Temperature Range (°C)	-10	-	50
Rise Time (Seconds) ⁽³⁾	-	0.05	0.2
Storage Temperature (°C)	-40	-	60
Environmental Humidity (RH, %)	5	-	85
Lifetime (hours) (MTTF at 25°C)	10,000	-	-
RoHS Compliance Declaration	Yes		

(1) with dot in the center of line

(2) over Operating Case Temperature

(3) from To 75% of Full Output Power