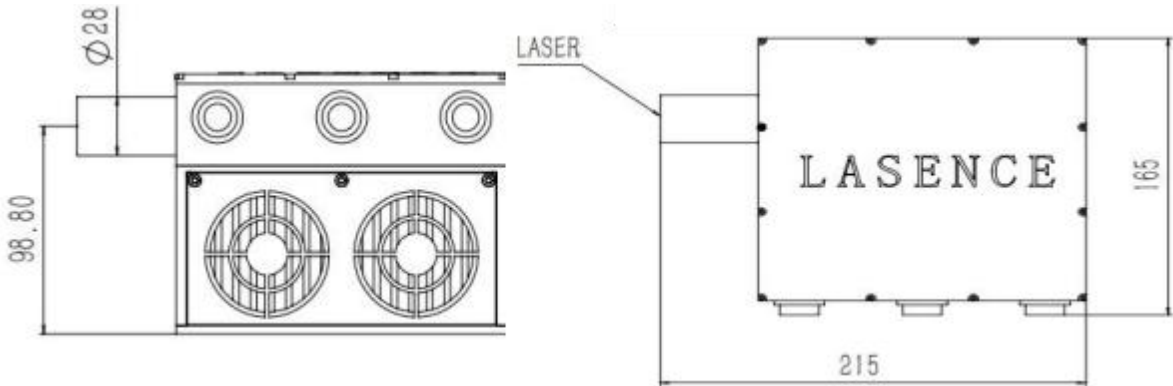


Y571D1500-215x165x125-2

- Applications**
- Laser Medical Treatment
 - Scientific Experiment
 - Optical Instrument
 - Laser Display

Dimensions (Unit: mm)



Specifications				
Model Number		Y571D1500-215x165x125-2		
Mechanical Specifications		Min	Typ	Max
Laser Head	Width x Height (mm)	-	215x165	-
	Length (mm)	-	125	-
	Weight (g)	-	-	8000
Housing Material		Anodic oxidation treatment		
Optical Specifications		Min	Typ	Max
Wavelength (nm) ⁽²⁾		570	571	573
Output Power (mW)		1000	1500	-
Power Stability at const. Temperature ⁽¹⁾		-	+/-1%	-
Output Power Mode		CW		
Laser Class		4		

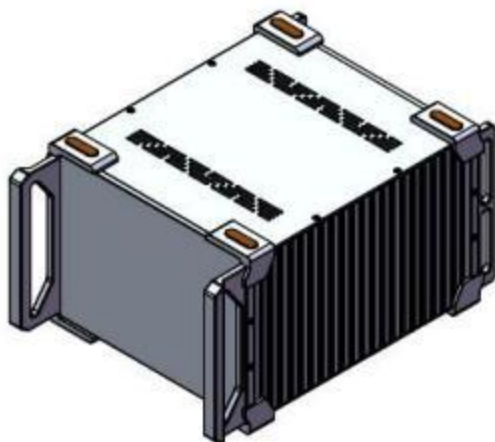
(1) after max. 10 minutes RMS

Beam Specifications		Min	Typ	Max
Beam Divergence (mrad) ⁽¹⁾		-	-	2
Beam Diameter at Output Window (mm)		-	15	-
Beam Height from Base Plate (mm)		-	98.8	-
Beam Mode Longitude		Multi		
Beam Mode Transverse		Multi ⁽²⁾		
Polarization Ratio (Linear)		100:1	-	-
Residual IR		-	-	3%
Electrical Specifications		Min	Typ	Max
Power Supply		100-240VAC		
Power Consumption (W)		-	240	-
Power Size	Width x Height (mm)	-	210x190	-
	Length (mm)	-	270	-
	Weight (g)	-	6000	-
Reliability		Min	Typ	Max
Operating Case Temperature Range (°C)		15	25	35
Warm-up Time (minutes)		-	-	10
Storage Temperature (°C)		0	-	40
Environmental Humidity (RH, %)		5	-	85
Lifetime (hours) (MTTF at 25°C)		5,000	-	-

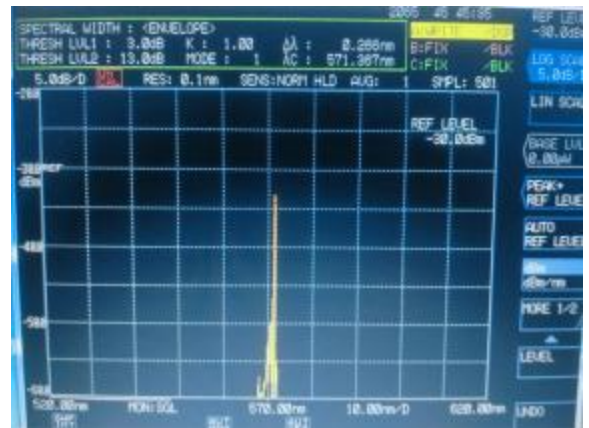
(1) Full Angle (1/e²)

(2) See picture 2 on page 2 for example of wavelength

Picture 1



Picture 2



POWER & 2h

