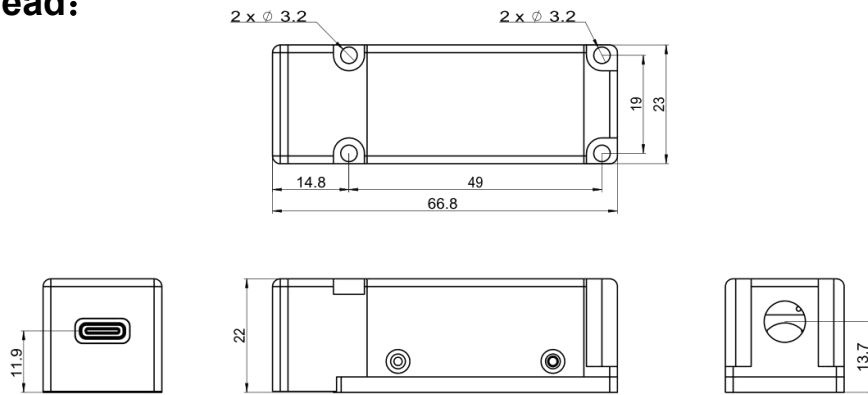


**G555D030-66.8x23x22-1.5**

- Applications**
- Life Science
  - Scientific Experiment
  - Optical Instrument

**Dimensions (Unit: mm)**

**Laser Head:**



Specifications				
<b>Model Number</b>		<b>G555D030-66.8x23x22-1.5</b>		
<b>Mechanical Specifications</b>		<b>Min</b>	<b>Typ</b>	<b>Max</b>
Laser Head	Width x Height (mm)	-	23x22	-
	Length (mm)	-	66.8	-
	Weight (g)	-	-	100
Housing Material		Grey Anodized Aluminum		
<b>Optical Specifications</b>		<b>Min</b>	<b>Typ</b>	<b>Max</b>
Wavelength (nm)		553	555	557
Output Power (mW)		20	30	-
Power Stability at const. Temperature <sup>(1)</sup>		-	+/- 1%	+/- 3%
Output Power Mode		CW		
Laser Class		3B		

<sup>(1)</sup> RMS after max. 5 minutes

<b>Beam Specifications</b>		<b>Min</b>	<b>Typ</b>	<b>Max</b>
Beam Divergence (mrad) <sup>(1)</sup>		-	1	1.5
Beam Alignment Tolerance	Position ( $\Delta r$ , mm) <sup>(2)</sup>	-	-	0.5
	Off-axis Angle (mrad)	-	-	-
Beam Diameter at Output Window (mm) <sup>(1)</sup>		-	1.5	-
Beam Height from Base Plate (mm)		-	13.7	14
Beam Roundness		70%	-	95%
Beam Mode Longitude		Multi		
Beam Mode Transverse		TEM <sub>00</sub>		
M <sup>2</sup>			1.2	1.3
Polarization Ratio (Linear)		100:1	-	-
Residual IR		-	1%	-
<b>Electrical Specifications</b>		<b>Min</b>	<b>Typ</b>	<b>Max</b>
Power Supply		100-240 VAC		
Power Consumption (W)		-	5	12
Laser Drive Size <sup>(3)</sup>	Width x Height (mm)	-	35x38.5	-
	Length (mm)	-	66.7	-
	Weight (g)	-	-	200
<b>Reliability</b>		<b>Min</b>	<b>Typ</b>	<b>Max</b>
Operating Condition (°C) <sup>(4)</sup>		15	25	35
Warm-up Time (minutes)		-	-	5
Storage Temperature (°C)		0	-	40
Environmental Humidity (RH, %)		5	-	85
Lifetime (hours) (MTTF at 25°C)		5,000	-	-

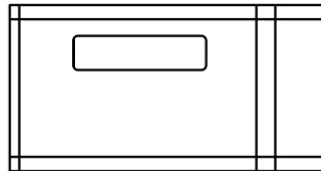
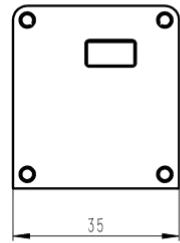
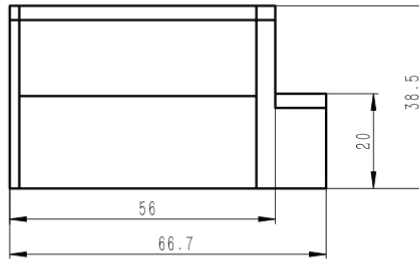
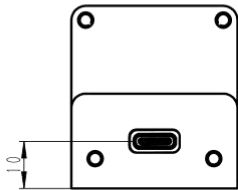
<sup>(1)</sup> Full Angle ( $1/e^2$ )

<sup>(2)</sup> at Output Window

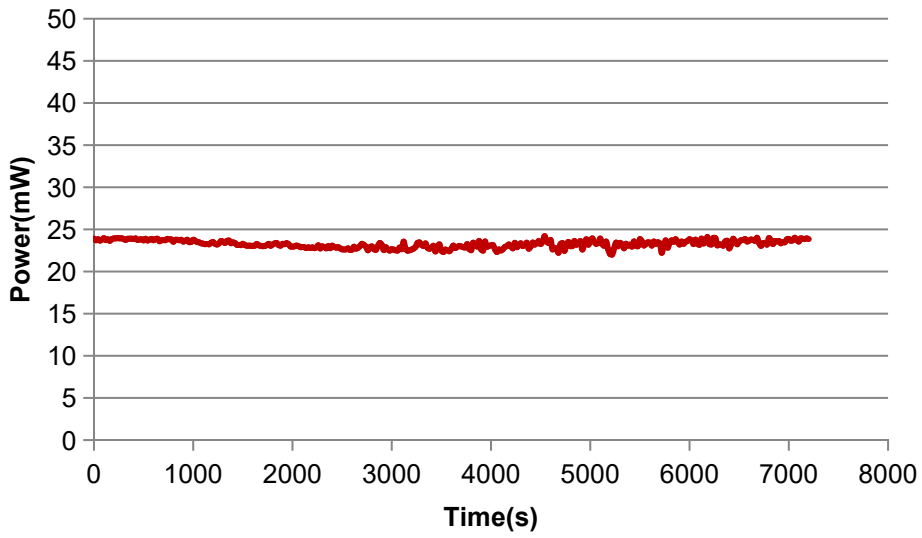
<sup>(3)</sup> See page 3

<sup>(4)</sup> For LS laser head baseplate temperature

## Laser Driver



## Power Stability



## Beam Spot

